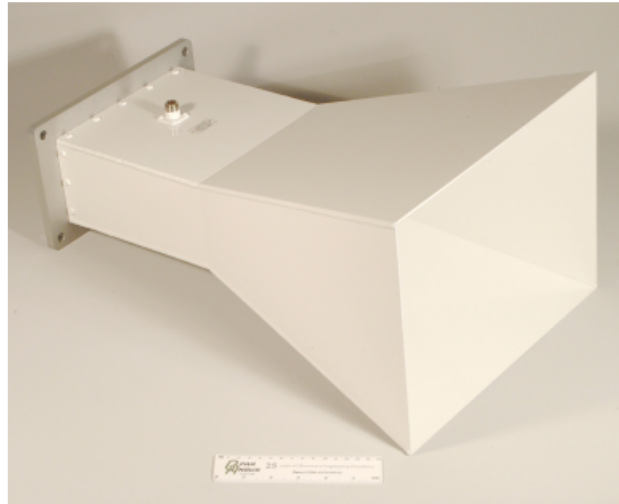




Q-par Angus Ltd

IDEAS ENGINEERED

0.9 - 1.5 GHz 10 dBi Standard Gain Horn Antenna



Model Number QSH5N10

- Covers WG5, WR770, R12 bands
- Robust, proven and versatile design
- Gain 8.5 - 12.3 dBi across the band
- Weather proofed versions available
- Range of connectors
- A full antenna test report including gain vs. frequency is provided

The QSH5N10 900 MHz - 1.5 GHz WG5 horn is manufactured using welded, precision laser cut aluminium sections providing accurate, consistent and reliable performance. The horn is a good general purpose antenna and is suited for use with Emission Testing, Susceptibility and Anechoic Chambers. A protective window can be fitted to provide weather proofing.

Alternative connectors, including N type and waveguide flange, are available on request.

Accessories

QTP-C - Ruggedized Military Style Tripod

Other models available

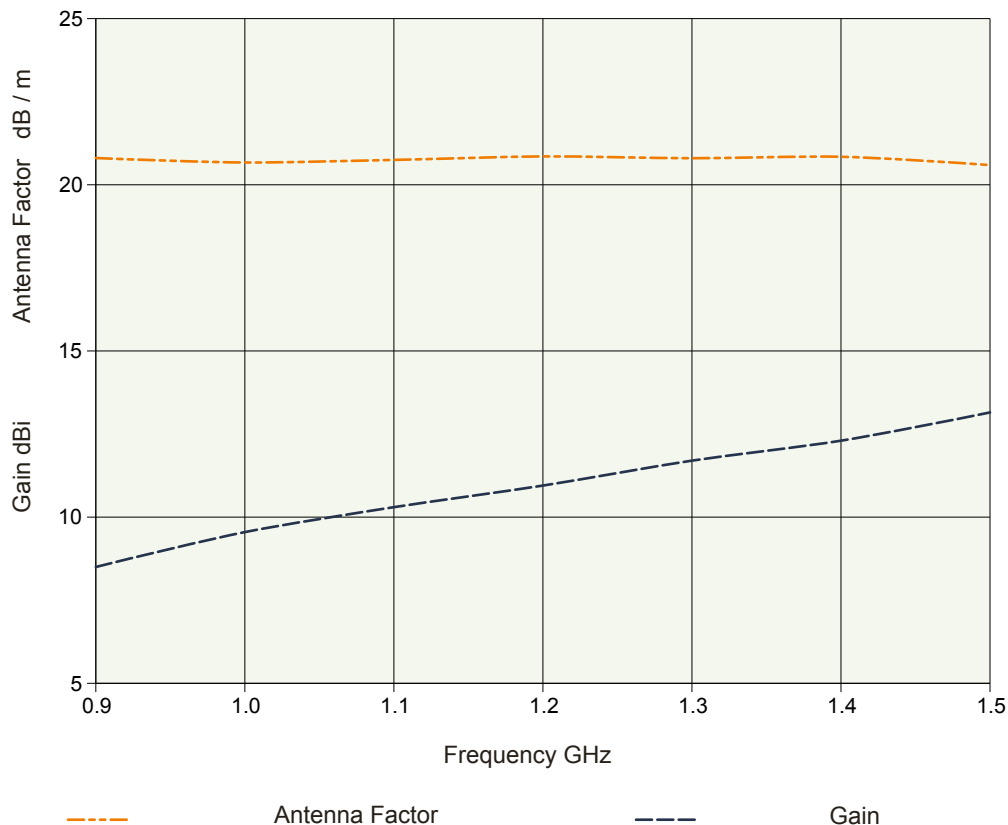
QSH5S10 - 10 dBi 0.9 - 1.5 GHz Horn with SMA
QSH5F15WA - 15 dBi 0.9 - 1.5 GHz Flanged Horn
QSH5N20WA - 20 dBi 0.9 - 1.5 GHz Horn

Data sheet

Typical Specification

Frequency	0.9 - 1.5 GHz
Gain	8.5 - 13.2 dBi
Antenna Factor	20.7 - 20.9 dB/m
3 dB Beamwidth	66° - 40°
VSWR	< 1.6 : 1
Radome	Available on request
Construction	Aluminium / Composite Material
Power Handling	200 W, c.w.
Dimensions	346 mm x 253 mm aperture x 511 mm length
Connector Type	N type & SMA available
Weight	4 kg
Mounting	Rear mount plate, 4 holes, diameter 10.2mm, 230mm x 125mm centres

Typical Gain / Antenna Factor



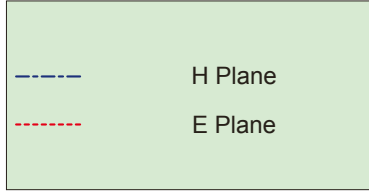
Designed and Manufactured in England to the Highest Standards

Barons Cross Laboratories, Leominster, Herefordshire, HR6 8RS, UK
 Tel +44 (0) 1568 612138 Fax +44 (0) 1568 616373
 E-mail sales@q-par.com Web www.q-par.com

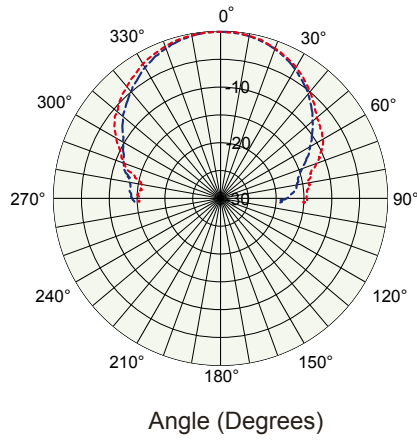


Antenna Patterns

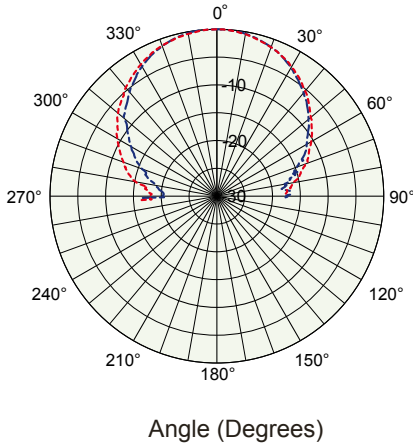
Key



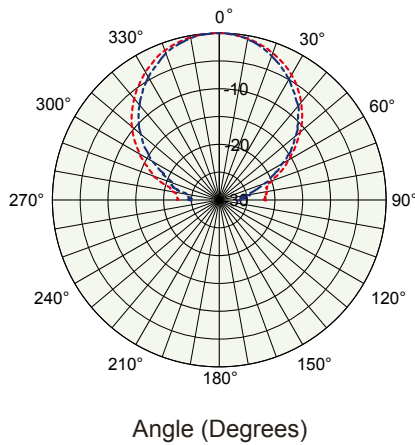
0.9 GHz



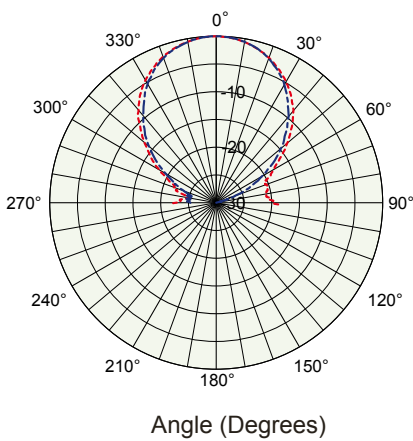
1 GHz



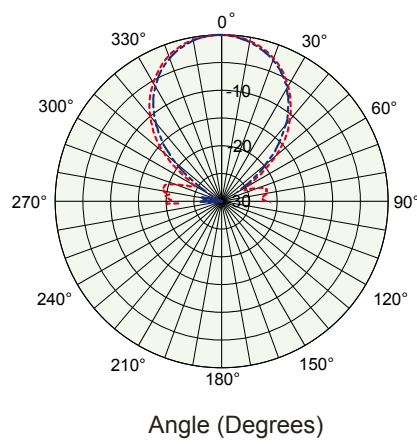
1.2 GHz



1.3 GHz



1.4 GHz



Designed and Manufactured in England to the Highest Standards

Barons Cross Laboratories, Leominster, Herefordshire, HR6 8RS, UK
 Tel +44 (0) 1568 612138 Fax +44 (0) 1568 616373
 E-mail sales@q-par.com Web www.q-par.com

